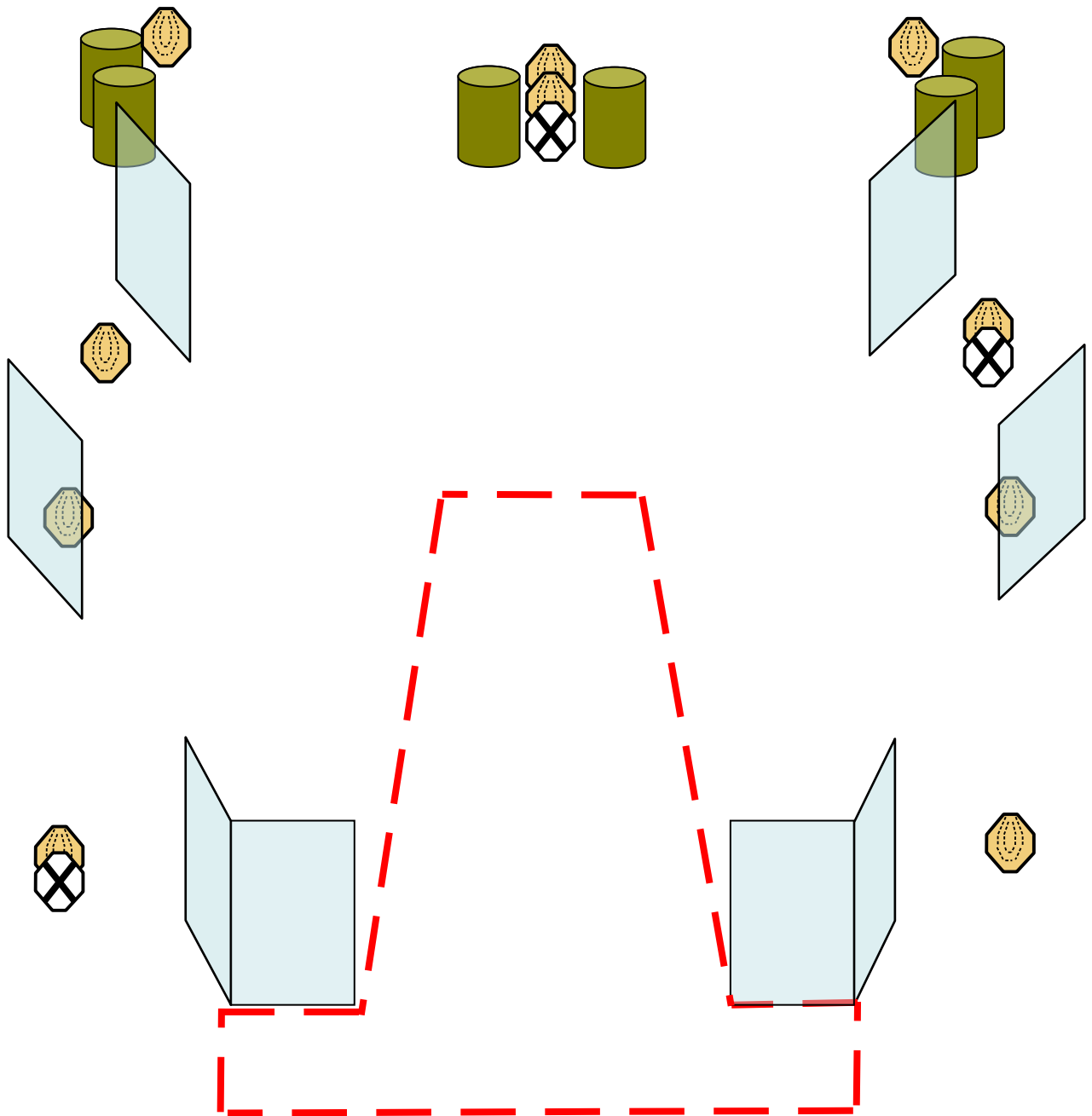


SHOOTING ACADEMY SUMMER RIFLE

STAGE 1



STAGE: 1 (Medium Course).

TARGETS: IPSC MINI Targets 10, No-Shoots 3.

MINIMUM NUMBER OF ROUNDS: 20.

(Maximum points: 100)

START POSITION: Standing anywhere in the designated area.

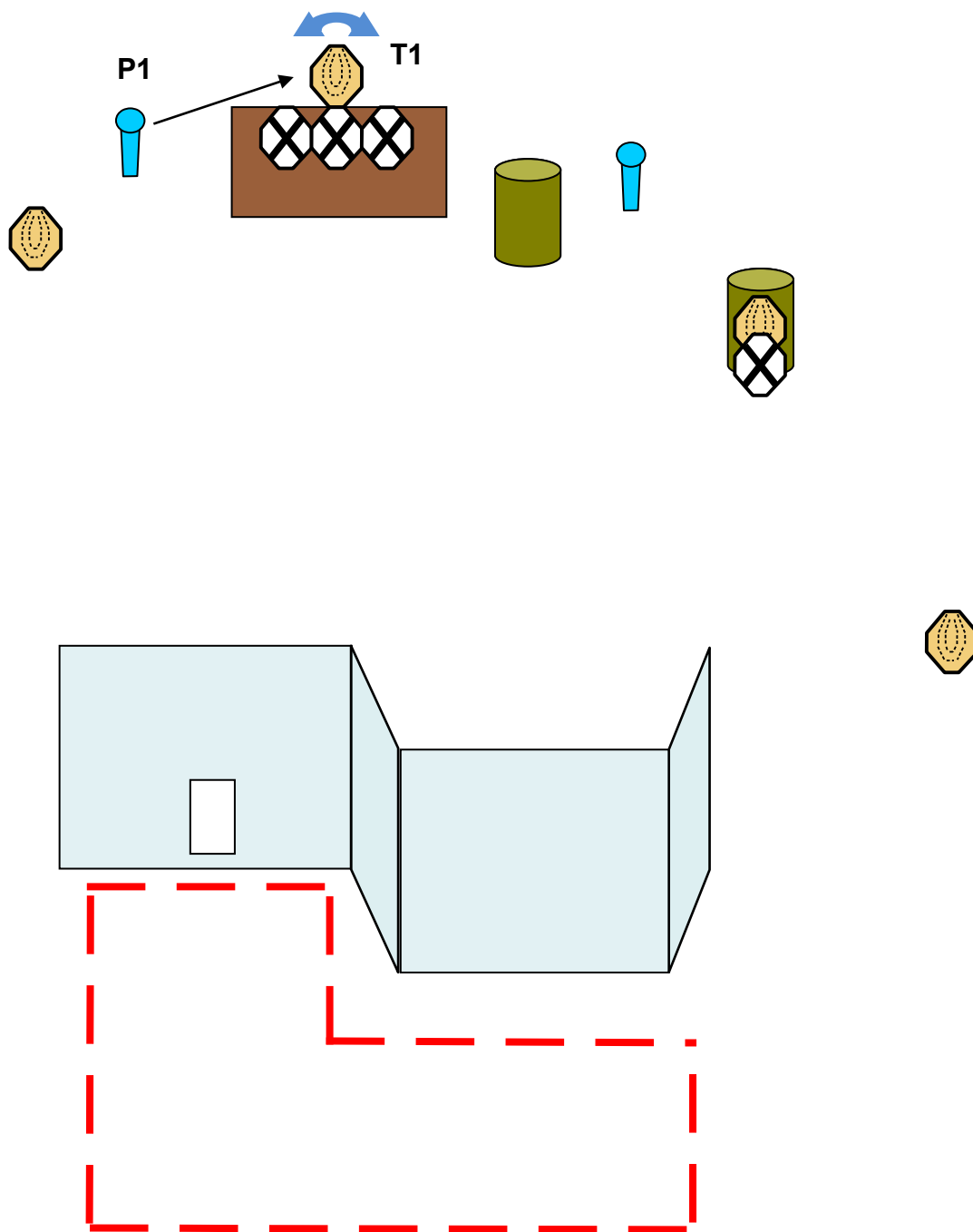
FIREARMS READY CONDITION: Loaded (Option 1), held in both hands.

TIME START: Audible signal.

PROCEDURE: After start signal engage all targets.

SHOOTING ACADEMY SUMMER RIFLE

STAGE 2



STAGE: 2 (Short course).

TARGETS: IPSC MINI Targets 4, IPSC MINI Poppers 2, No-Shoots 4.

MINIMUM NUMBER OF ROUNDS: 10.

(Maximum points: 50)

START POSITION: Standing anywhere in the designated area.

FIREARMS READY CONDITION: Loaded (Option 1), held in both hands.

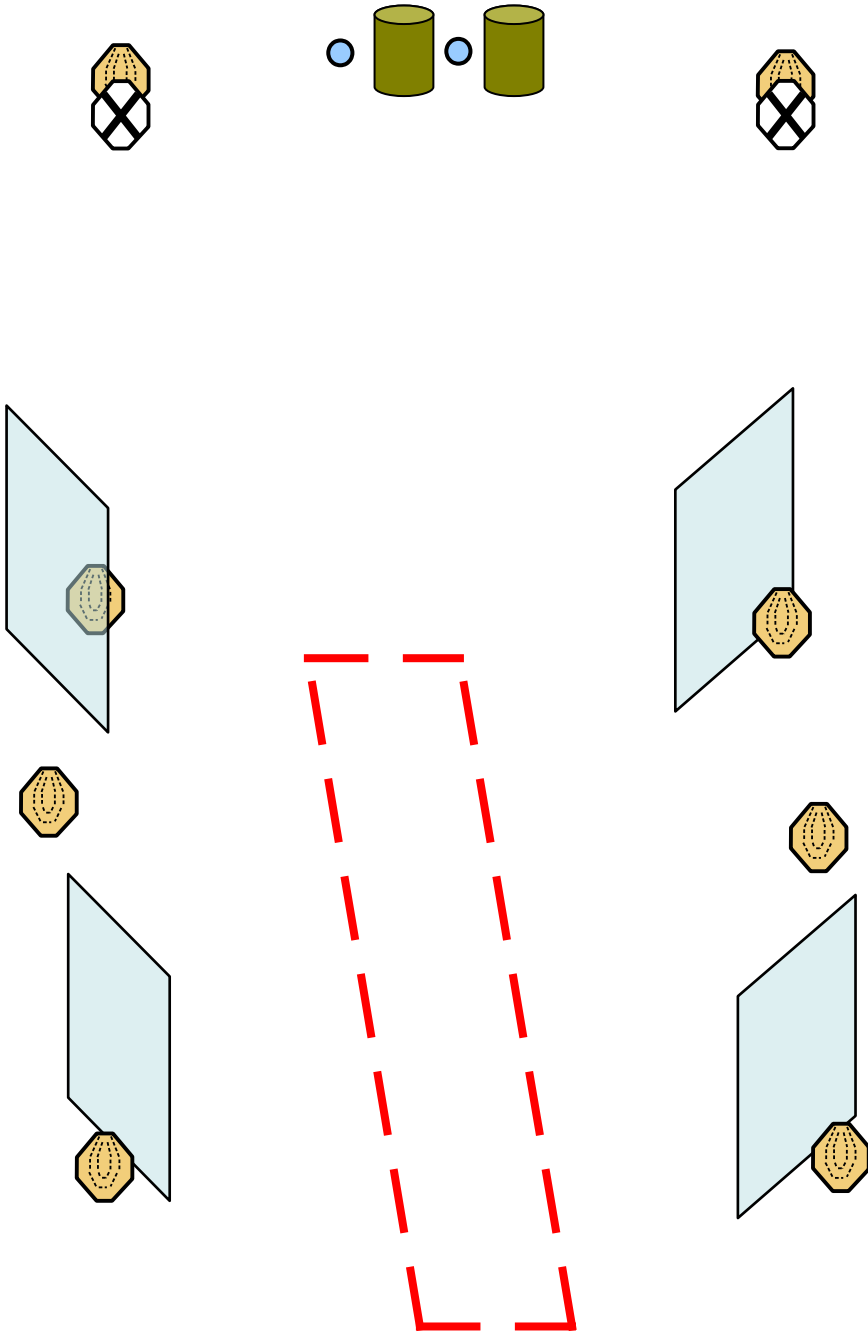
TIME START: Audible signal.

PROCEDURE: After start signal engage all targets.

SPECIAL EQUIPMENT: Popper P1 activates Swinger T1 which remains visible at rest.

SHOOTING ACADEMY SUMMER RIFLE

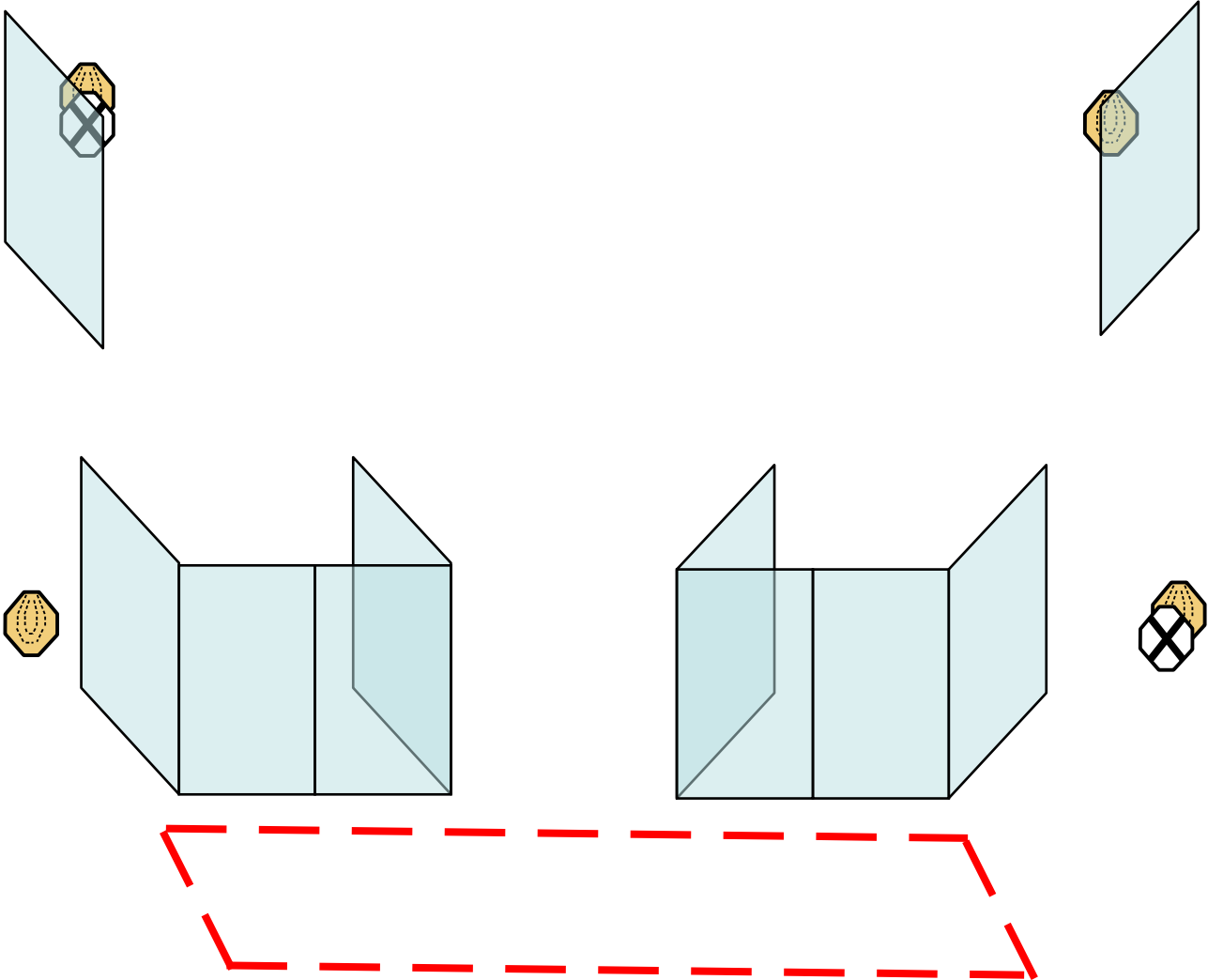
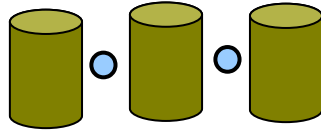
STAGE 3



STAGE: 3 (Medium course.)
TARGETS: IPSC MINI Targets 8, IPSC Plates 2, No-Shoots 2.
MINIMUM NUMBER OF ROUNDS: 18.
(Maximum points: 90)
START POSITION: Standing anywhere in the designated area.
FIREARMS READY CONDITION: Loaded (Option 1), held in both hands.
TIME START: Audible signal.
PROCEDURE: After start signal engage all targets.

SHOOTING ACADEMY SUMMER RIFLE

STAGE 4



STAGE: 4 (Short course).

TARGETS: IPSC MINI Targets 4, IPSC Plates 2, No-Shoots 2.

MINIMUM NUMBER OF ROUNDS: 10.

(Maximum points: 50)

START POSITION: Standing anywhere in the designated area.

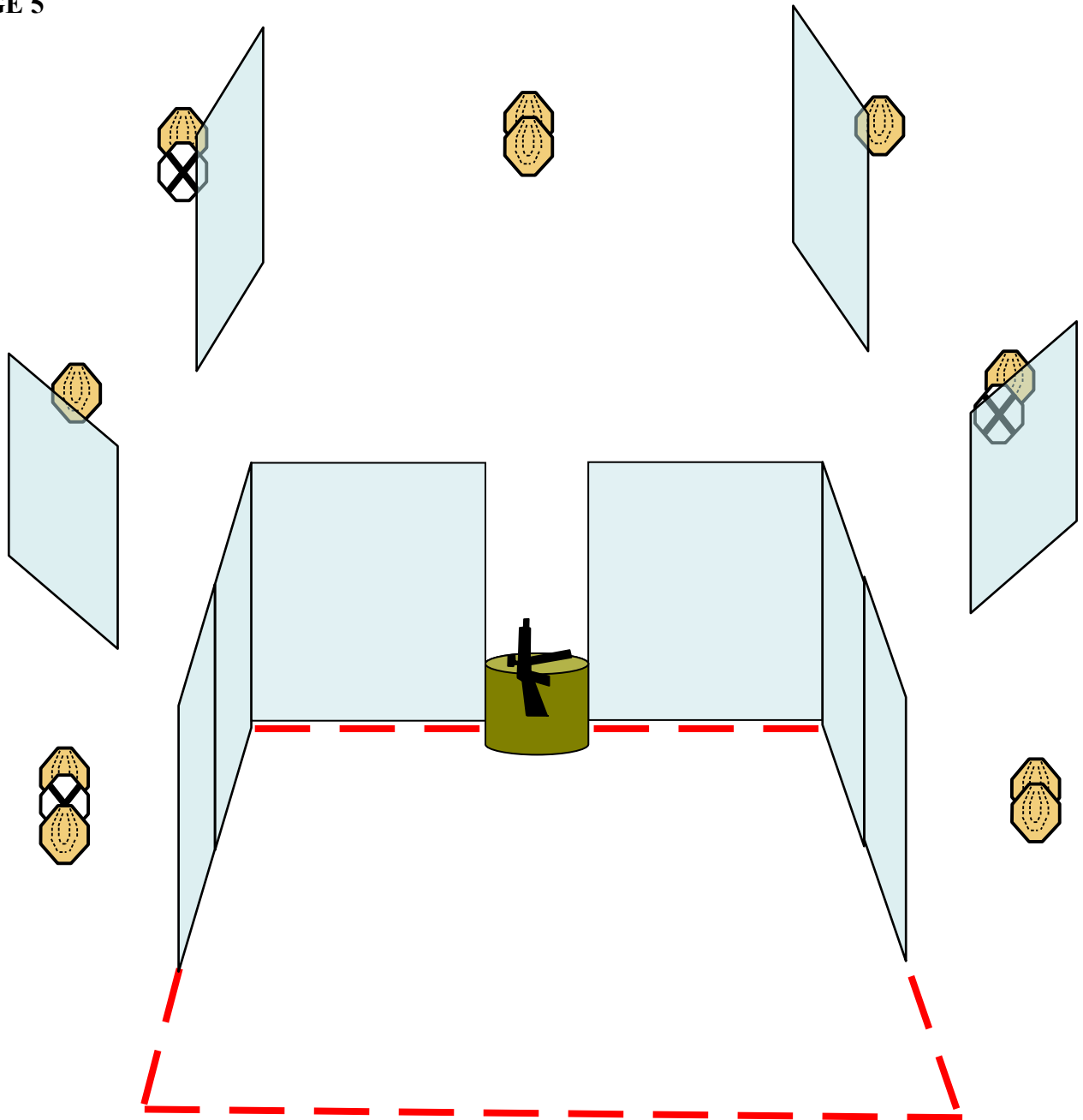
FIREARMS READY CONDITION: Loaded (Option 1), held in both hands.

TIME START: Audible signal.

PROCEDURE: After start signal engage all targets.

SHOOTING ACADEMY SUMMER RIFLE

STAGE 5



STAGE: 5 (Medium Course).

TARGETS: IPSC MINI Targets 10, No-Shoots 3.

MINIMUM NUMBER OF ROUNDS: 20.

(Maximum points: 100)

START POSITION: Standing anywhere in the designated area.

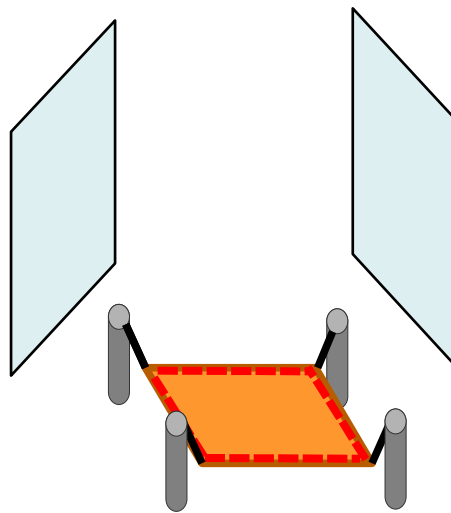
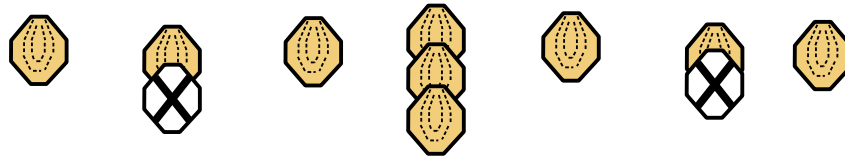
FIREARMS READY CONDITION: Loaded (Option 1), flat on the table.

TIME START: Audible signal.

PROCEDURE: After start signal engage all targets.

SHOOTING ACADEMY SUMMER RIFLE

STAGE 6



STAGE: 6 (Short course).

TARGETS: IPSC MINI Targets 9, No-Shoots 2.

MINIMUM NUMBER OF ROUNDS: 9.

(Maximum points: 45)

START POSITION: Standing on the platform within the designated area.

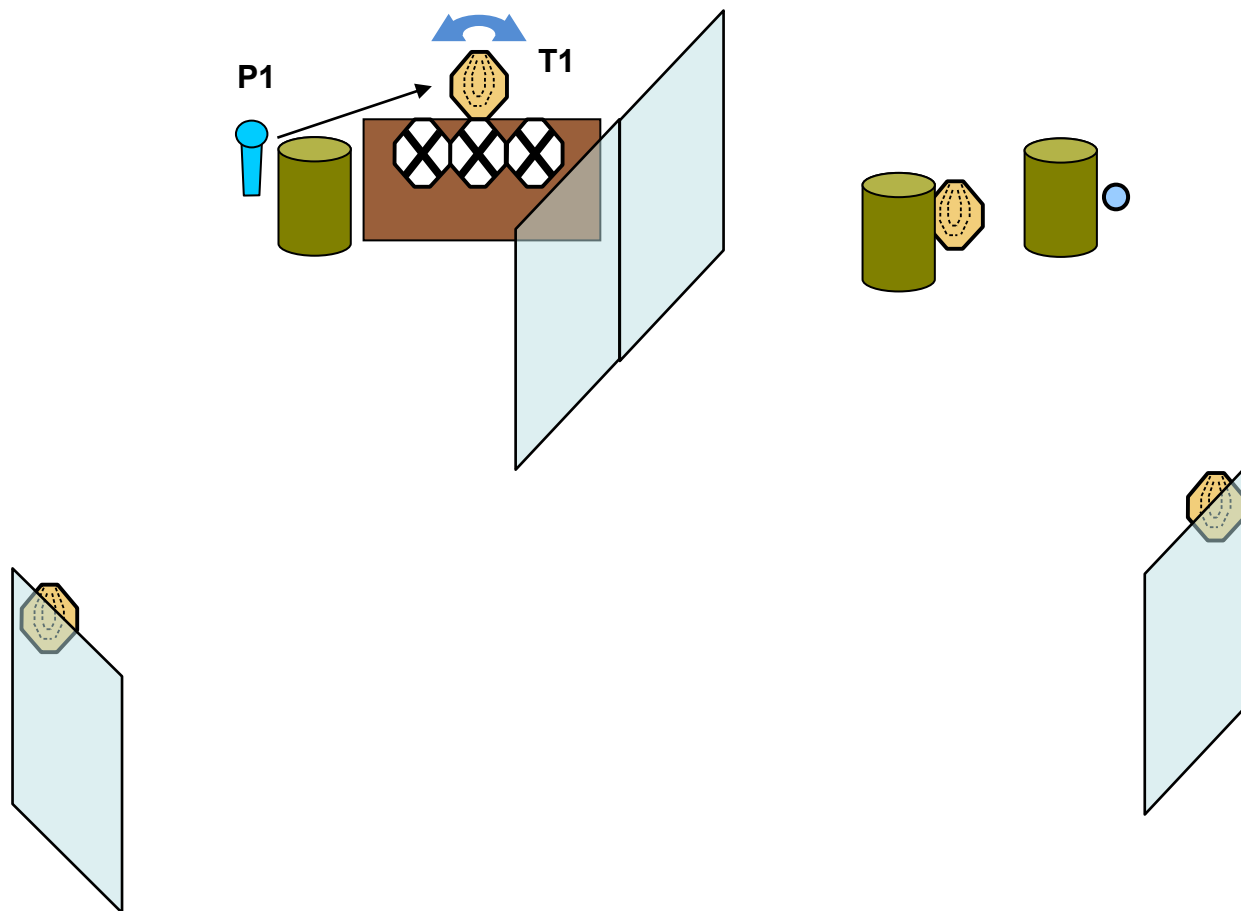
FIREARMS READY CONDITION: Loaded (Option 1), held in both hands.

TIME START: Audible signal.

PROCEDURE: After start signal engage all targets. Only **one best hit per target** will be scored.

SHOOTING ACADEMY SUMMER RIFLE

STAGE 7



STAGE: 7 (Short course).

TARGETS: IPSC MINI Targets 4, IPSC MINI Popper 1, IPSC Plates 1, No-Shoots 3.

MINIMUM NUMBER OF ROUNDS: 10

(Maximum points: 50)

START POSITION: Standing anywhere in the designated area.

FIREARMS READY CONDITION: Loaded (Option 1), held in both hands.

TIME START: Audible signal.

PROCEDURE: After start signal engage all targets.

SPECIAL EQUIPMENT: Popper P1 activates Swinger T1 which remains visible at rest.

SHOOTING ACADEMY SUMMER RIFLE

Summary:

Medium course – 3

Short course – 4

IPSC Targets – 49

IPSC Poppers – 3

IPSC Plates – 5

No-Shoots – 19

Minimum Rounds – 97

Maximum points - 485